

FIG. 4

Attachment  
(please send)

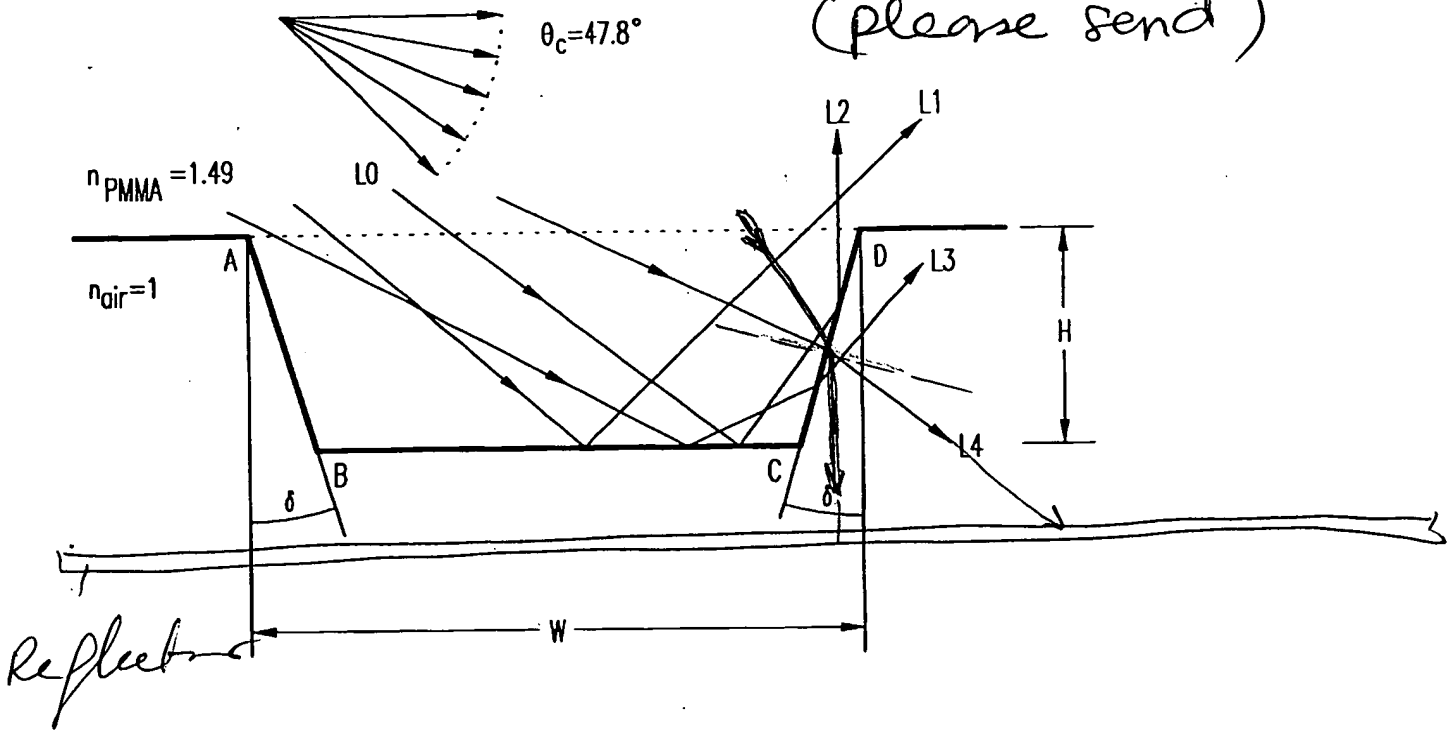


FIG. 5

RECTANGULAR  $\delta=0$

